

SW 750

Model:
SW 750



Part List English

04-01-2014

Table of Contents

SW 750

| | |
|--------------------------------------|-----------|
| General view | 3 |
| Chassis system | 5 |
| Side broom assembly | 7 |
| Hopper system | 9 |
| Transmission system | 11 |
| Left and right hatch assembly | 13 |
| Belt tensioner assemblies | 15 |
| Dust control system | 17 |
| Vacuum system | 19 |
| Control panel assembly | 21 |
| Wiring diagram | 23 |
| Recommended spare parts | 25 |

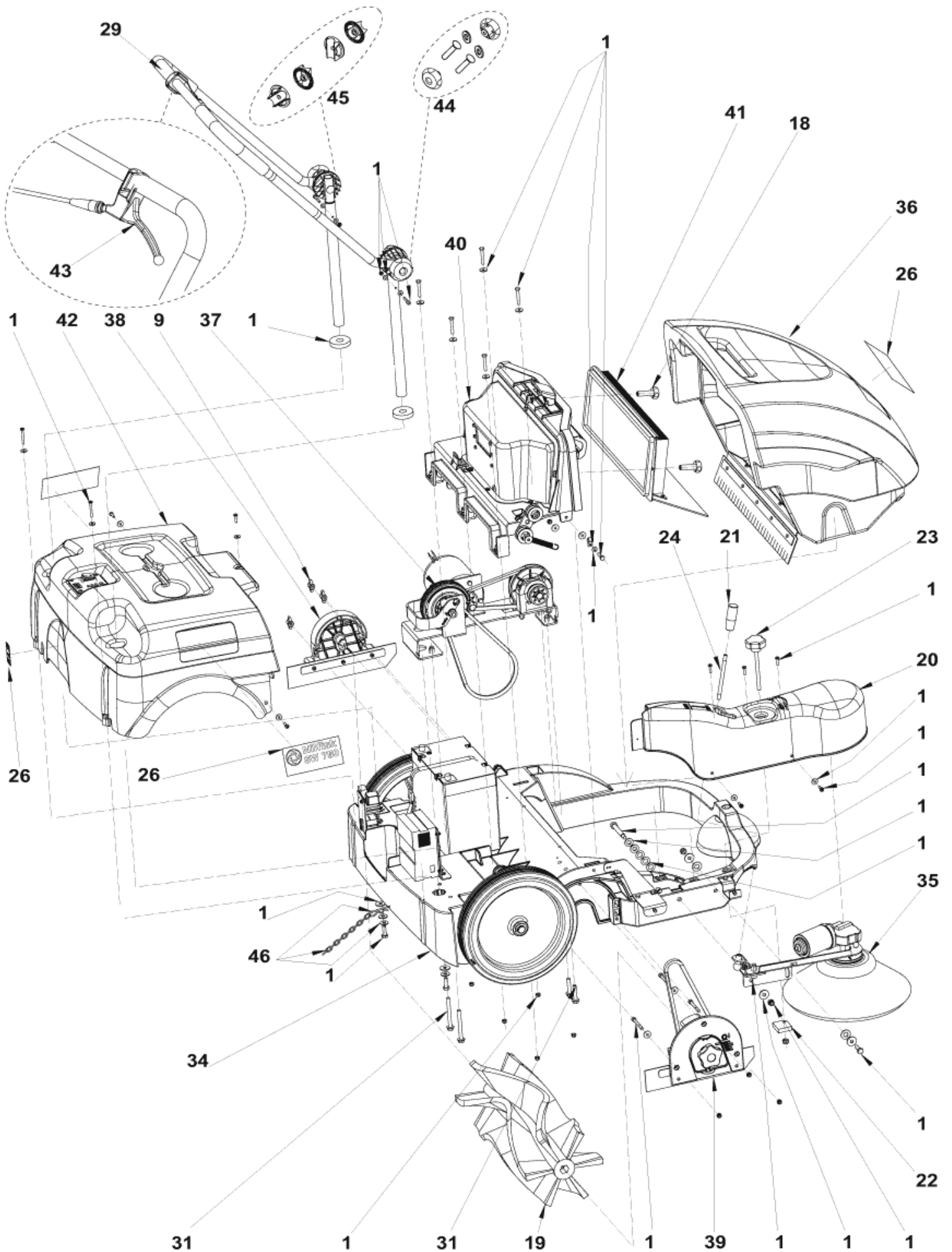
General view

SW 750

04-01-2014

Part List ID
F233103

3



General view

SW 750

04-01-2014

Part List ID

FZ33103

4

| Pos | Part no. | Qty | Description | |
|-----|--------------|-----|-------------------------------|------------------------|
| 0 | 1463171000 | 1 | CARPET KIT | ACCESSORY |
| 0 | 1463885000 | 1 | CARDBOARD BOX 1060X900X690MM | |
| 1 | 1463858000 | 1 | GENERAL HARDWARE KIT | |
| 9 | 145 0461 000 | 3 | Wing nut M 6 | |
| 18 | 146 2991 000 | 2 | HANDWHEEL D 30 M6 | |
| 19 | 146 3016 000 | 1 | BROOM MAIN 180X500 CARPET | |
| 19 | 1463174000 | 1 | BROOM MAIN 200 X 5 | |
| 20 | 146 3033 000 | 1 | CRANKCASE SIDE BROOM | |
| 21 | 146 3037 000 | 1 | HANDLE LEVER | |
| 22 | 146 3038 000 | 1 | ADJUSTER BLOCK F. BROOM | |
| 23 | 146 3039 000 | 1 | Knob | |
| 24 | 146 3040 000 | 1 | LEVER SIDE BROOM | |
| 26 | 1463979000 | 1 | DECALS SW 750 KIT | |
| 29 | 146 3066 000 | 1 | HANDLE BAR | |
| 31 | 1463868000 | 1 | HARDWARE TRANSMISSION SYS KIT | |
| 34 | | 1 | USE LINK | CHASSIS SYSTEM |
| 35 | | 1 | USE LINK | SIDE BROOM ASSEMBLY |
| 36 | | 1 | USE LINK | HOPPER SYSTEM |
| 37 | | 1 | USE LINK | TRANSMISSION SYSTEM |
| 38 | | 1 | USE LINK | LEFT HATCH ASSEMBLY |
| 39 | | 1 | USE LINK | RIGHT HATCH ASSEMBLY |
| 40 | | 1 | USE LINK | DUST CONTROL SYSTEM |
| 41 | | 1 | USE LINK | FILTER ASSEMBLY |
| 42 | | 1 | USE LINK | CONTROL PANEL ASSEMBLY |
| 43 | 146 3068 000 | 1 | LEVER WITH CABLE | |
| 44 | 1463859000 | 1 | HANDLE FIXING KIT | |
| 45 | 909 5099 000 | 1 | RATCHET KIT | |
| 46 | 1463260000 | 1 | CHAIN GROUND KIT | |

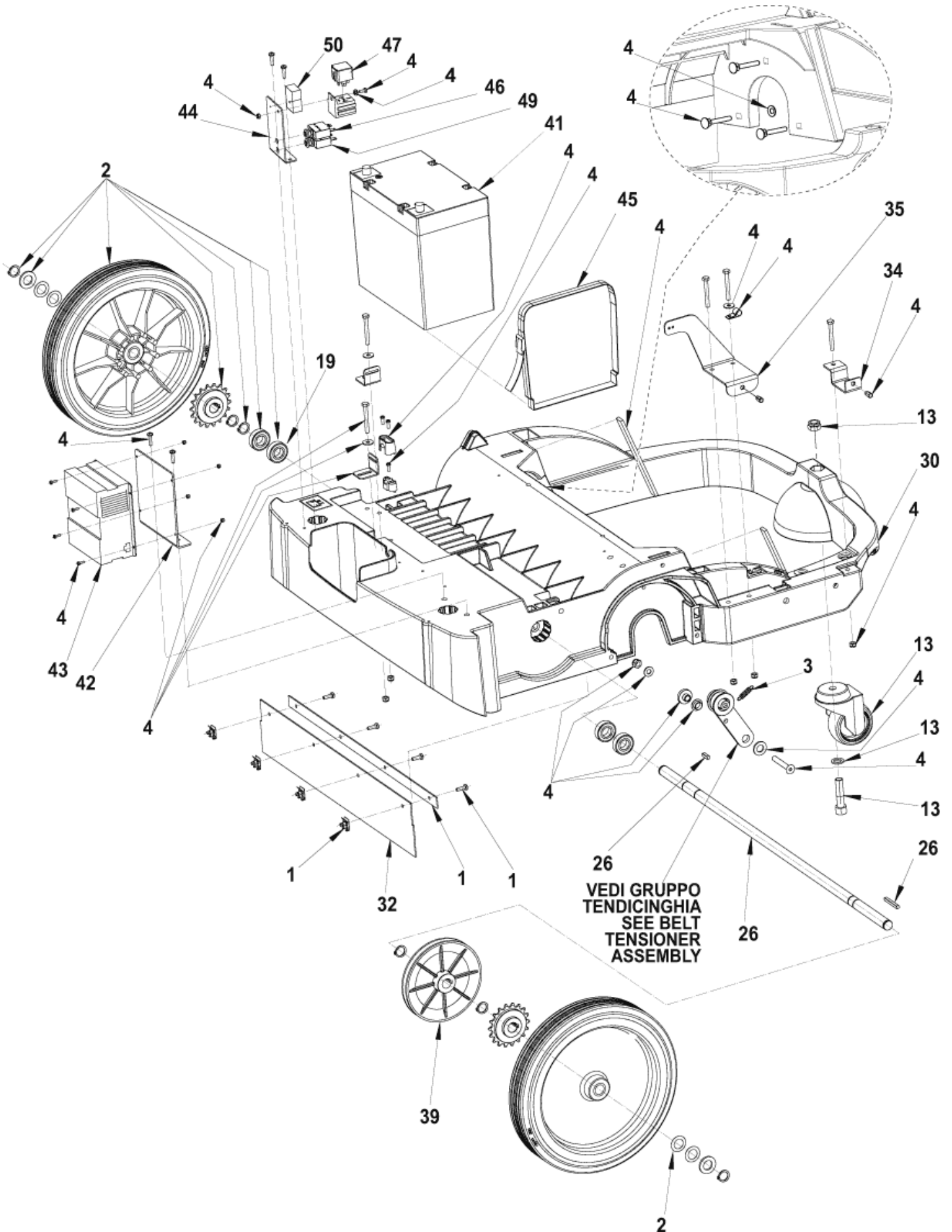
Chassis system

SW 750

04-01-2014

Part List ID
F233107

5



Chassis system

SW 750

04-01-2014

Part List ID

FZ33107

6

| Pos | Part no. | Qty | Description | |
|-----|--------------|-----|---|------------------------------------|
| 0 | 145 9788 000 | 1 | Fuse 7,5A | |
| 0 | 146 3052 000 | 1 | HARNES MACHINE | |
| 0 | 1463167000 | 1 | SKIRTS NO MARKING KIT | ACCESSORY |
| 0 | 1463201000 | 1 | BATTERY CLAMPS POS.-NEG.KIT | ACCESSORY |
| 0 | 909 5633 000 | 1 | CABLE EXTENTION | |
| 0 | 909 5676 000 | 1 | CABLE EXTENTION UK PLUG | |
| 0 | 9096914000 | 1 | CABLE EXTENSION | |
| 1 | 146 3124 000 | 1 | SKIRTS AND PLATES KIT | |
| 2 | 1463860000 | 2 | WHEEL BLACK KIT | |
| 3 | 145 8925 000 | 1 | Spring | |
| 4 | 1463861000 | 1 | HARDWARE CHASSIS SYSTEM KIT | |
| 0A | 1463255000 | 1 | SKIRT NEOP SIDE | ACCESSORY FROM SERIAL NO.072014268 |
| 13 | 1463862000 | 1 | wheel castor kit | |
| 19 | 145 8415 000 | 4 | Ball bearing 6003 2RS | |
| 26 | 1463863000 | 1 | SHAFT WHEELS KIT | |
| 30 | 146 2978 000 | 1 | CHASSIS | |
| 32 | 1463166000 | 1 | SKIRTS KIT | |
| 34 | 146 2983 000 | 1 | BRACKET CARTER FIXING | |
| 35 | 146 2984 000 | 1 | BRACKET CARTER FIXING | |
| 39 | 146 2998 000 | 1 | PULLEY D.140 | |
| 41 | 1464483000 | 1 | BATTERY 12V 49AH AGM MONOBLOC | ACCESSORY - TSB IT 2010-058 |
| 41 | 1464853000 | 1 | BATTERY DISCOVER | ACCESSORY - TSB IT 2010-058 |
| 42 | 146 3050 000 | 1 | BRACKET BAT.CHARGER FIX | |
| 43 | 146 3051 000 | 1 | CHARGER BATTERY 12V 6A 100-240V 50-60Hz | |
| 44 | 146 3053 000 | 1 | SUPPORT ELECTRONIC COMP. | |
| 45 | 146 3054 000 | 1 | BELT BATTERY FIXING | |
| 46 | 146 3090 000 | 1 | CIRCUIT BREAKER 5A | |
| 47 | 146 3113 000 | 1 | RELAIS 12V 70 A TYCO | |
| 49 | 909 5706 000 | 1 | CIRCUIT BREAKER 30A | |
| 50 | 909 6341 000 | 1 | HOLDER FUSE | |

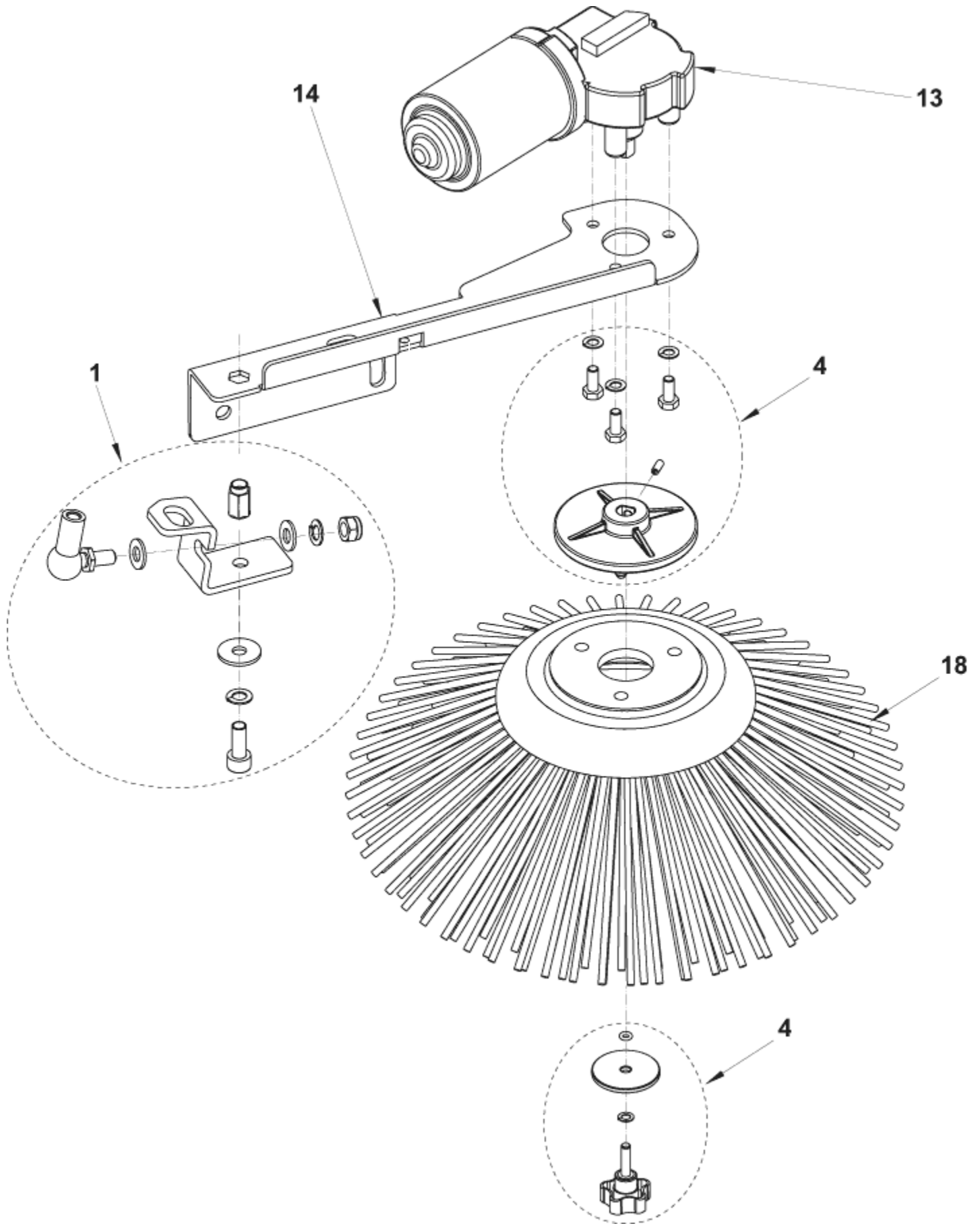
Side broom assembly

SW 750

04-01-2014

Part List ID F233111

7



Side broom assembly

SW 750

04-01-2014

Part List ID

FZ33111

8

| Pos | Part no. | Qty | Description | |
|-----|--------------|-----|---------------------------------|-----------|
| 1 | 1463864000 | 1 | HARDWARE SIDE BROOM KIT | |
| 4 | 1463865000 | 1 | HUB SIDE BROOM FIZING | |
| 13 | 146 3028 000 | 1 | REDUCTION GEARMOTOR 40W 1 | |
| 14 | 146 3029 000 | 1 | SUPPORT SIDE BROOM | |
| 18 | 146 3035 000 | 1 | BROOM SIDE 109X315 PPL0,5 | |
| 18 | 146 3036 000 | 1 | BROOM SIDE 109X315 NYLON CARPET | ACCESSORY |

Hopper system

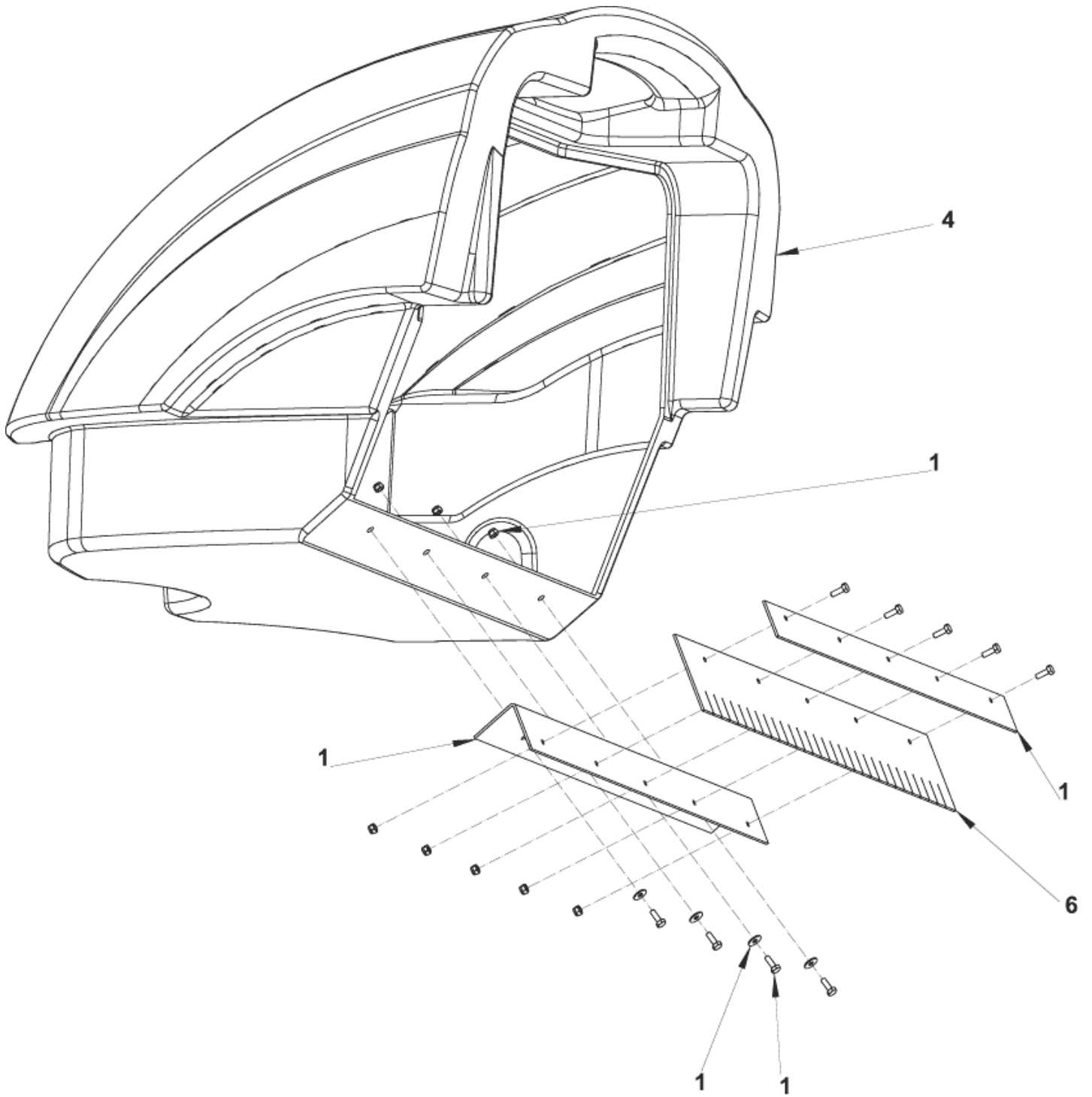
SW 750

04-01-2014

Part List ID

F233113

9



Hopper system

SW 750

04-01-2014

Part List ID

FZ33113

10

| Pos | Part no. | Qty | Description |
|-----|--------------|-----|----------------------------|
| 1 | 146 3124 000 | 1 | SKIRTS AND PLATES KIT |
| 4 | 146 3042 000 | 1 | CONTAINER DIRT, ROTOMOLDED |
| 6 | 1463166000 | 1 | SKIRTS KIT |

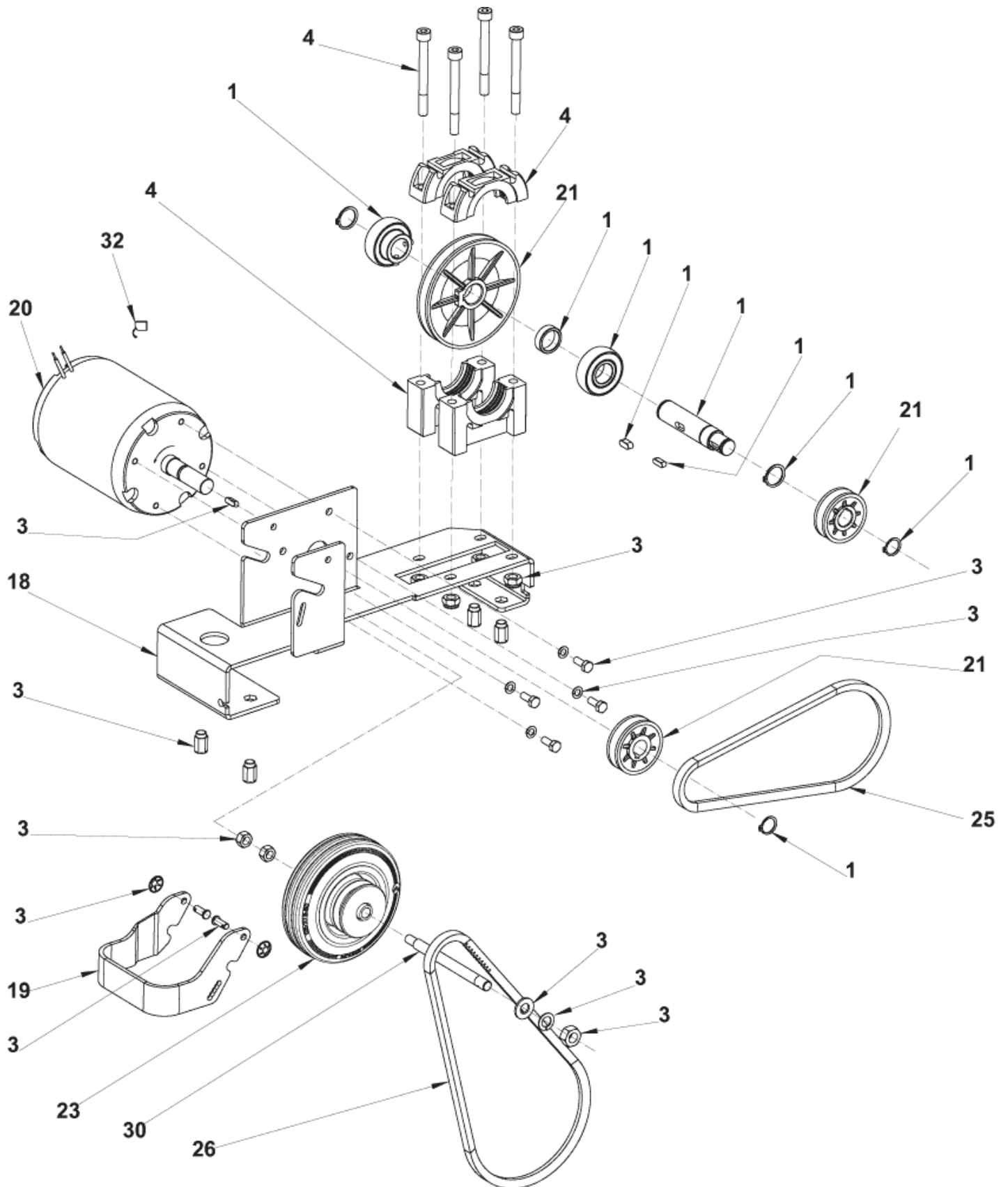
Transmission system

SW 750

04-01-2014

Part List ID
F233115

11



Transmission system

SW 750

04-01-2014

Part List ID

FZ33115

12

| Pos | Part no. | Qty | Description |
|-----|--------------|-----|-------------------------------|
| 1 | 1463867000 | 1 | SHAFT PULLEYS KIT |
| 3 | 1463868000 | 1 | HARDWARE TRANSMISSION SYS KIT |
| 4 | 1463866000 | 1 | BEARING SUPPORTS KIT |
| 18 | 146 3000 000 | 1 | PLATE MOTOR SUPPORT |
| 19 | 146 3002 000 | 1 | BRACKET CLUTCH WHEEL |
| 20 | 146 3003 000 | 1 | MOTOR ELECTRIC 200W 12V |
| 21 | 1463869000 | 1 | PULLEY'S KIT |
| 23 | 146 3006 000 | 1 | WHEEL DRIVE CLUTCH |
| 25 | 1463305000 | 1 | BELT |
| 26 | 1464045000 | 1 | BELT KIT |
| 30 | 146 3013 000 | 1 | SHAFT DRIVE CLUTCH WHEEL |
| 32 | 909 6893 000 | 1 | BRUSH CARBON KIT 4 PCS |

Left and right hatch assembly

SW 750

04-01-2014

Part List ID

FZ33117

14

| Pos | Part no. | Qty | Description |
|-----|--------------|-----|------------------------|
| 1 | 146 3124 000 | 1 | SKIRTS AND PLATES KIT |
| 3 | 1463870000 | 1 | hatch right fixing kit |
| 5 | 1463871000 | 1 | HATCH LEFT FIXING KIT |
| 7 | 146 1852 000 | 2 | KNOB M8 |
| 8 | 146 3014 000 | 1 | PULLEY D112 |
| 13 | 1463166000 | 1 | SKIRTS KIT |
| 15 | 146 3027 000 | 1 | BELT |
| 17 | 146 3020 000 | 1 | PIN, MAIN BROOM |

Belt tensioner assemblies

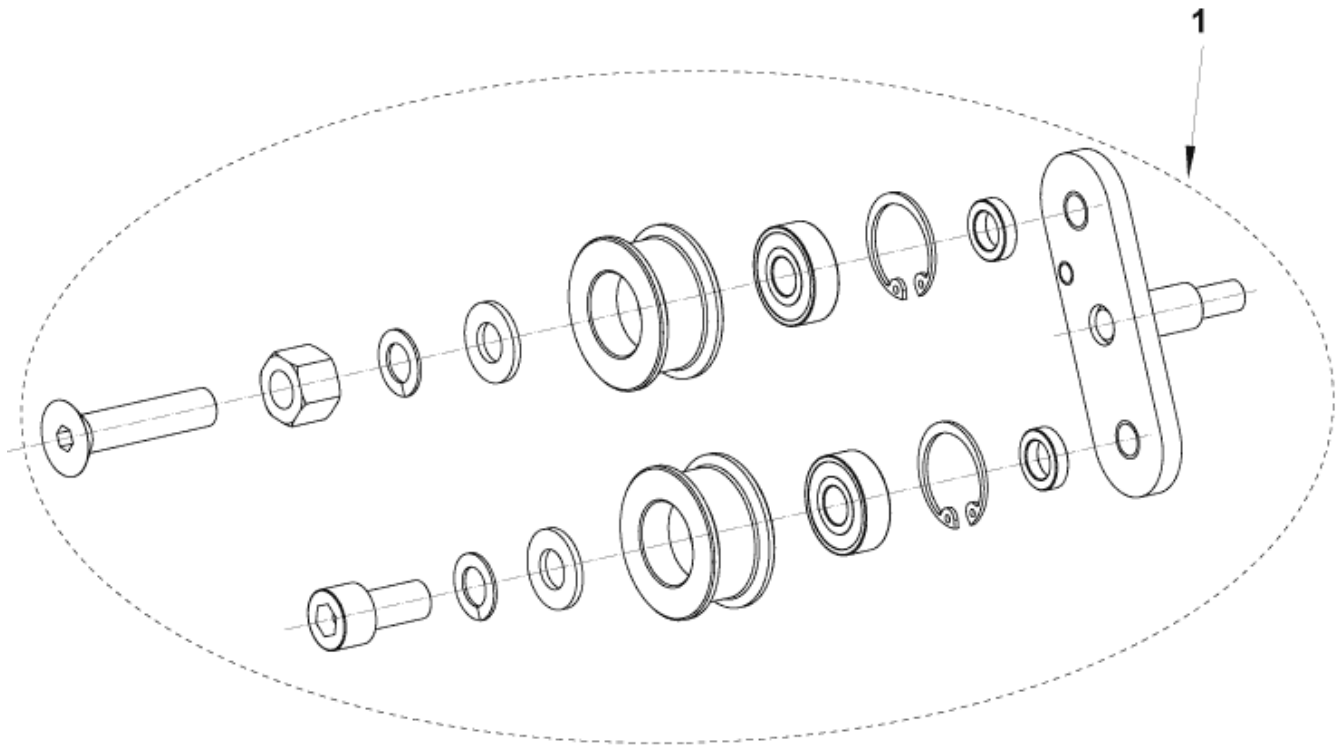
SW 750

04-01-2014

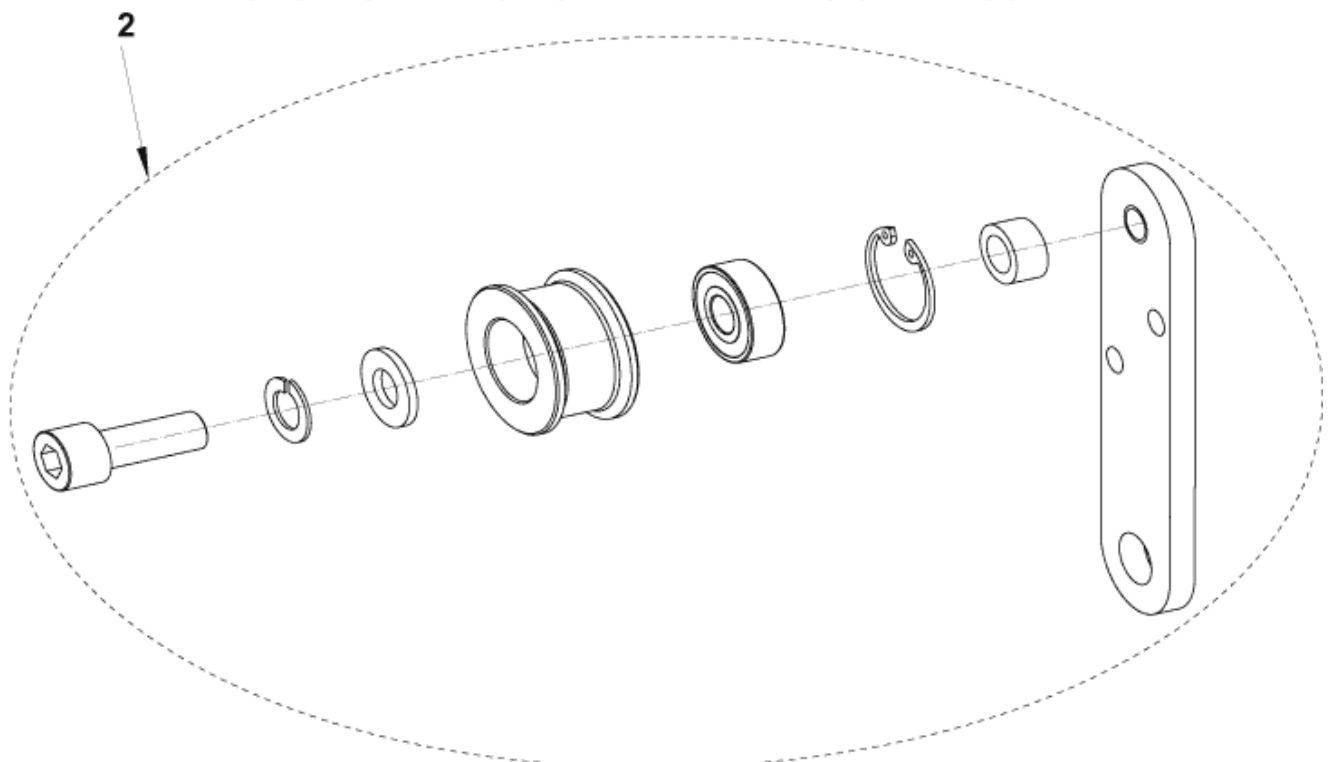
Part List ID
F233119

15

GRUPPO TENDICINGHIA DOPPIO - DOUBLE BELT TENSIONER ASSEMBLY



GRUPPO TENDICINGHIA - BELT TENSIONER ASSEMBLY



Belt tensioner assemblies

SW 750

04-01-2014

Part List ID
FZ33119

16

| Pos | Part no. | Qty | Description |
|-----|------------|-----|---------------------------|
| 1 | 1463872000 | 1 | BELT TENSIONER DOUBLE KIT |
| 2 | 1463873000 | 1 | BELT TENSIONER KIT |

Dust control system

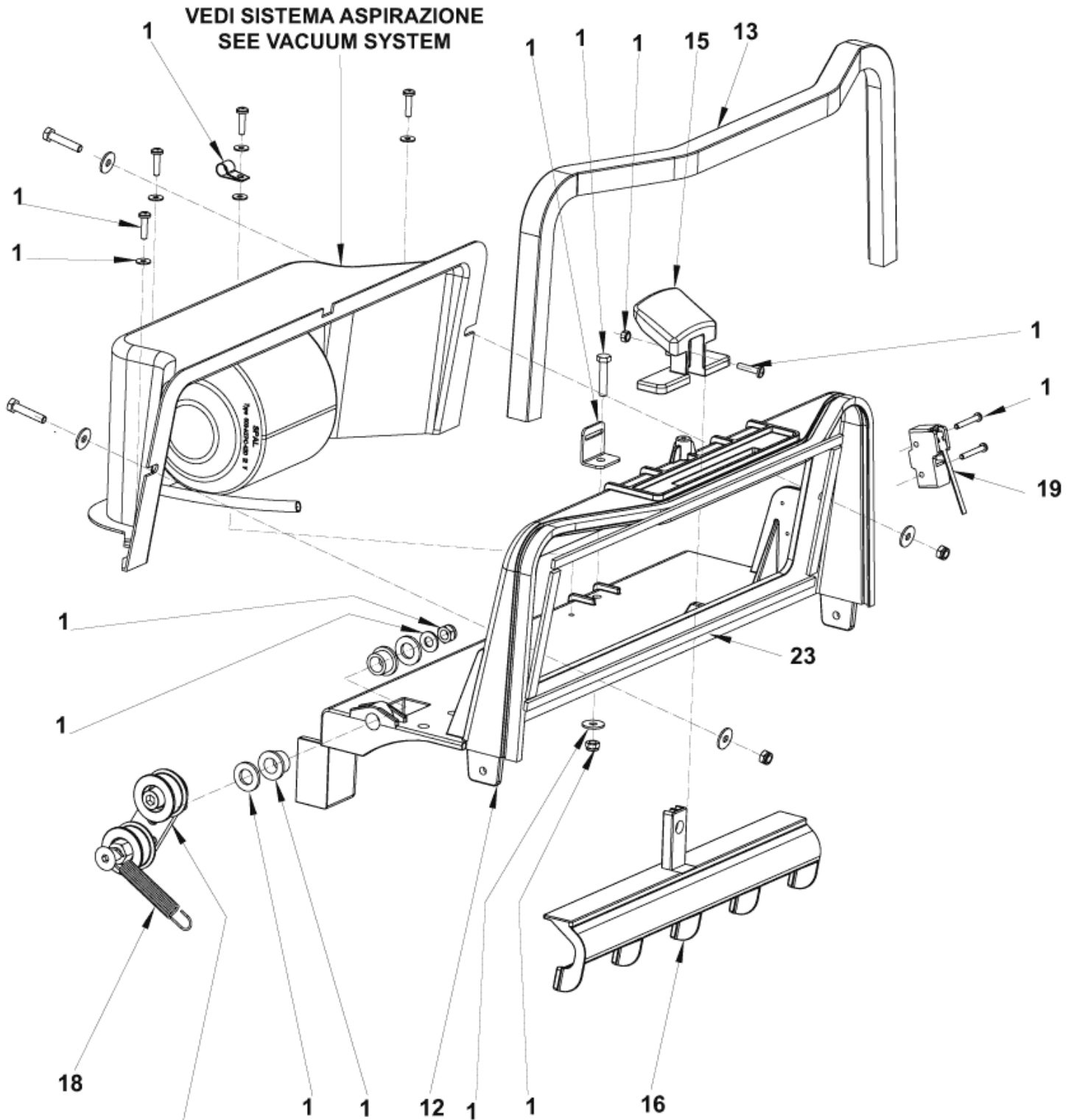
SW 750

04-01-2014

Part List ID

F233121

17



**VEDI GRUPPO TENDICINGHIA DOPPIO
SEE DOUBLE BELT TENSIONER ASSEMBLY**

Dust control system

SW 750

04-01-2014

Part List ID

FZ33121

18

| Pos | Part no. | Qty | Description |
|-----|--------------|-----|-------------------------|
| 1 | 1463874000 | 1 | HARWARE DUST CONTROL |
| 12 | 146 2988 000 | 1 | SUPPORT FILTER |
| 13 | 1463747000 | 1 | GASKET EXTRUDED L 845MM |
| 15 | 146 2992 000 | 1 | HANDLE FILTER SHAKER |
| 16 | 146 2993 000 | 1 | FILTER SHAKER |
| 18 | 145 0274 000 | 1 | Belt stretcher lever |
| 19 | 145 9679 000 | 1 | Micro switch 16A 250V |
| 23 | 1463176000 | 2 | GASKET FILTER KIT |

Vacuum system

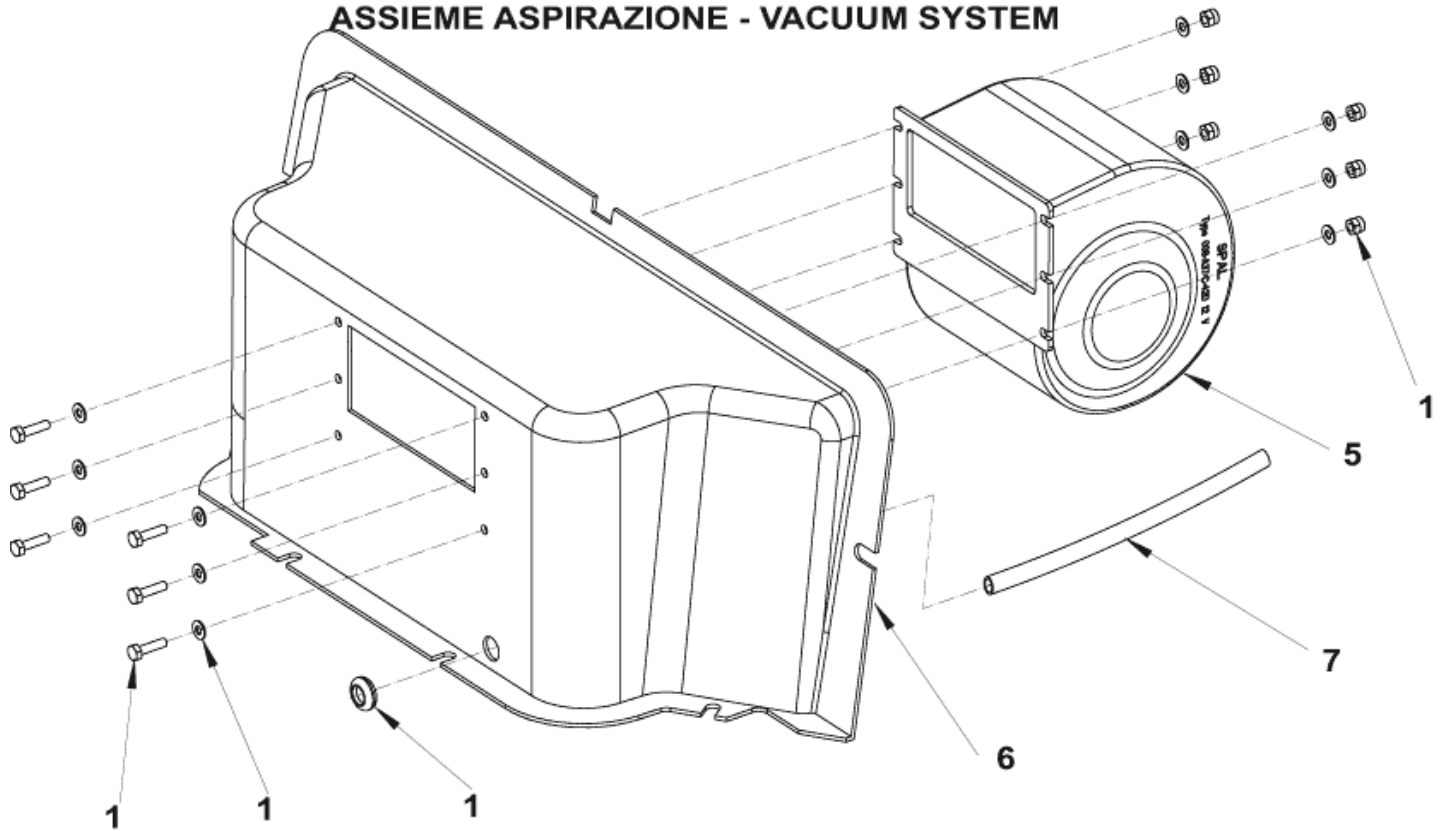
SW 750

04-01-2014

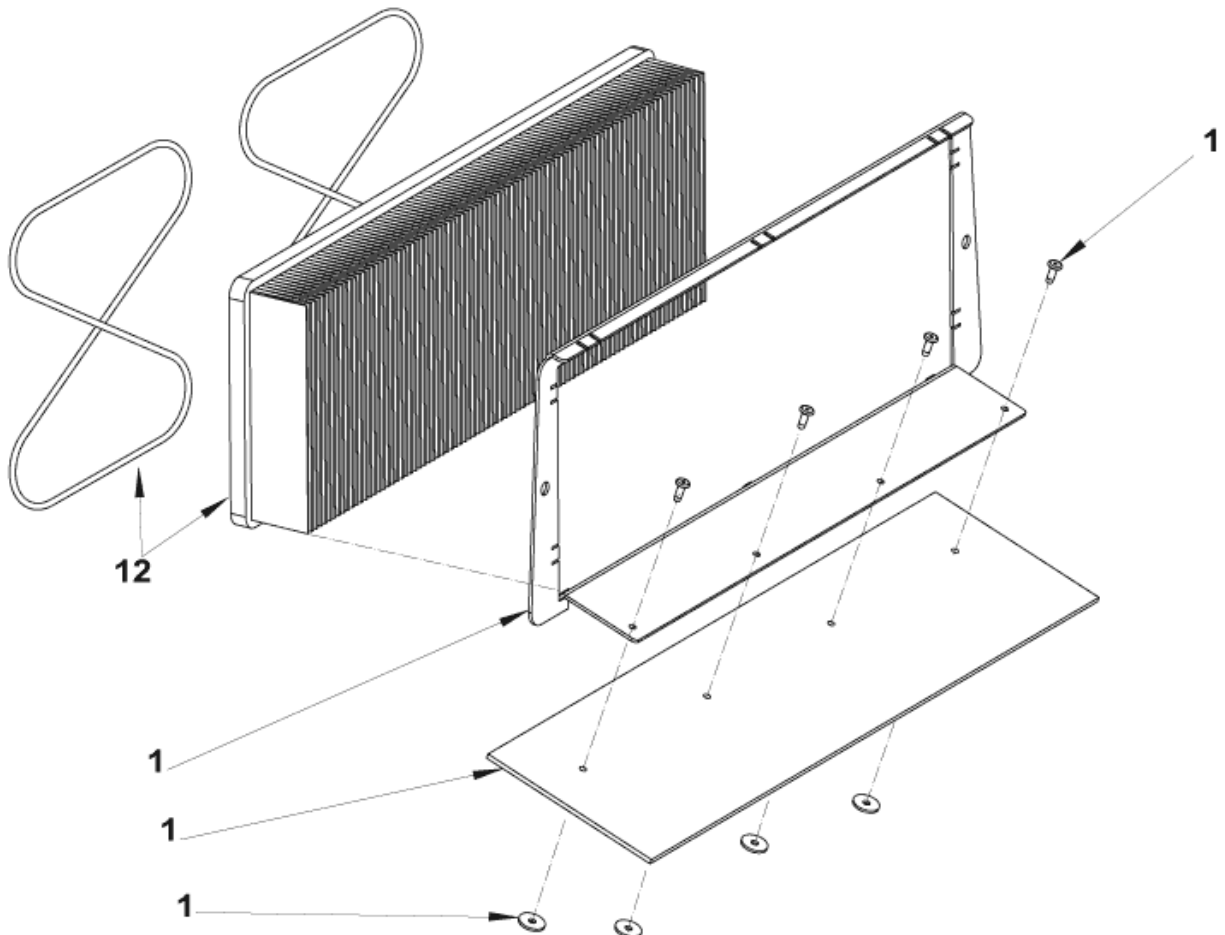
Part List ID
F233123

19

ASSIEME ASPIRAZIONE - VACUUM SYSTEM



GRUPPO FILTRO - FILTER ASSEMBLY



Vacuum system

SW 750

04-01-2014

Part List ID

FZ33123

20

| Pos | Part no. | Qty | Description |
|-----|--------------|-----|---------------------------|
| 1 | 1463875000 | 1 | hardwrae filter fixing ki |
| 5 | 146 1804 000 | 1 | FAN |
| 6 | 146 3055 000 | 1 | CONVEYOR |
| 7 | 146 3125 000 | 1 | SHEATH D.6XD.7 L 200 |
| 12 | 1463161000 | 1 | FILTER POLYESTER KIT |

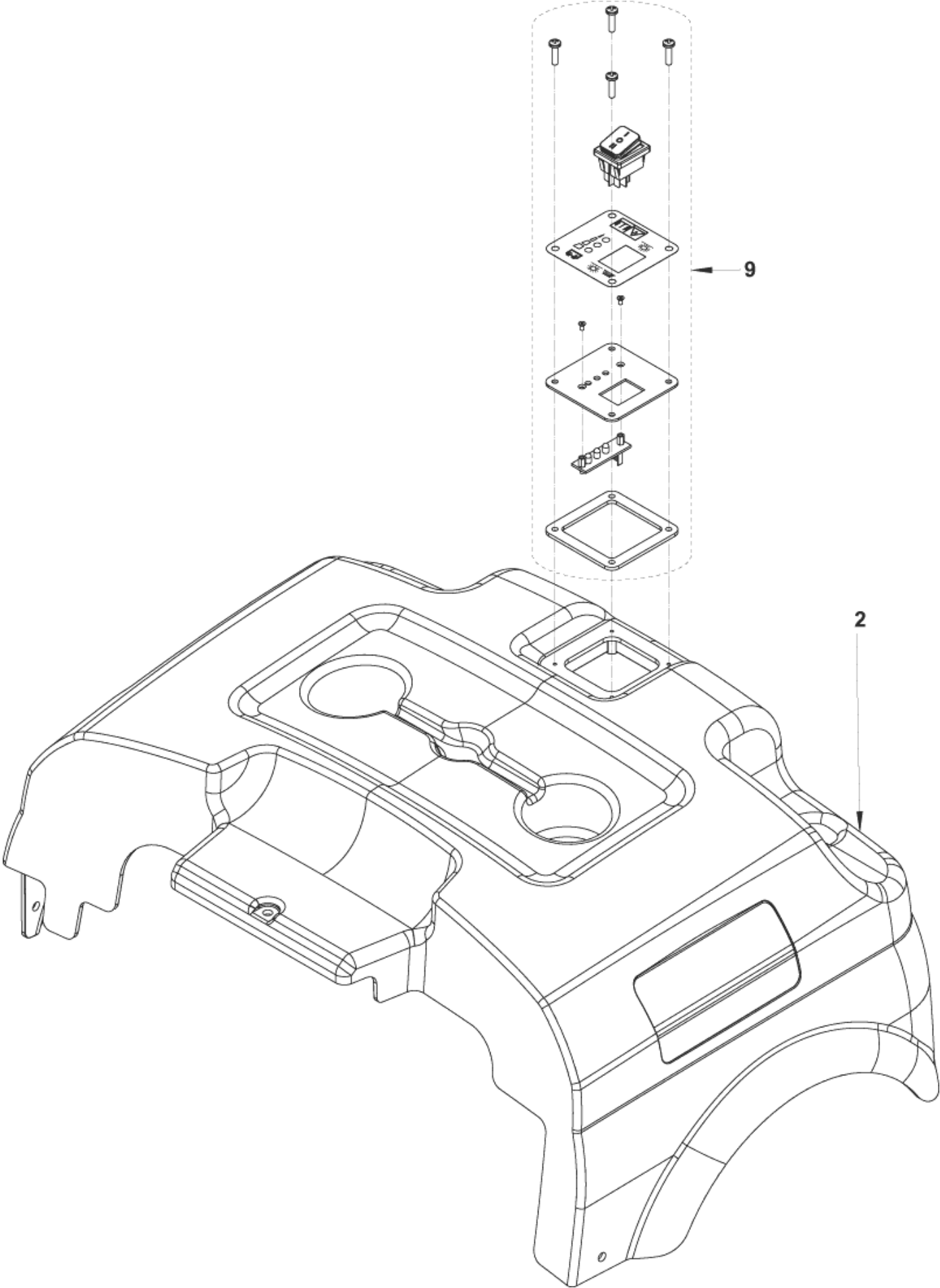
Control panel assembly

SW 750

04-01-2014

Part List ID
F233125

21



Control panel assembly

SW 750

04-01-2014

Part List ID

FZ33125

22

| Pos | Part no. | Qty | Description |
|-----|--------------|-----|---------------------------|
| 2 | 146 3069 000 | 1 | COVER REAR GREY |
| 9 | 146 3123 000 | 1 | PANEL CONTROL W/DECAL KIT |

Wiring diagram

SW 750

04-01-2014

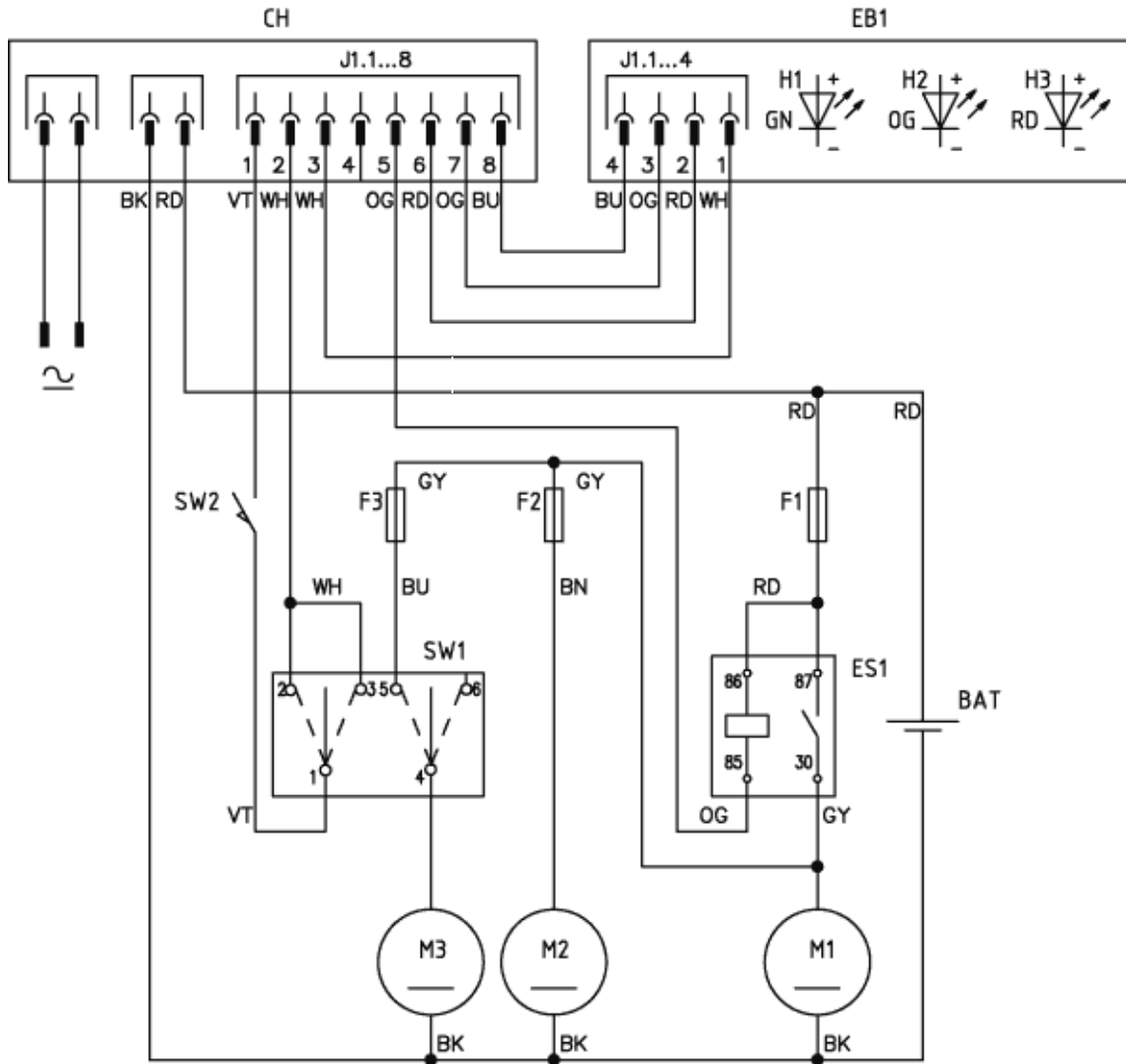
Part List ID
F233126

23

WIRING DIAGRAM

SW 750

146 3089 000 - Rev.B



| COMPONENTI | | COMPONENTS |
|------------|-----------------------------------|-------------------------------------|
| BAT | Batteria 12V | 12V Battery |
| CH1 | Caricabatterie-controllo funzioni | Batt. charger / Function controller |
| EB1 | Scheda LED | LED board |
| ES1 | Relé | Relais |
| F1 | Fusibile principale | Main circuit breaker |
| F2 | Fusibile ventola | Fan fuse |
| F3 | Fusibile spazzola laterale | Side brush circuit breaker |
| H1 | Led batteria piena carica | Full charge led |
| H2 | Led batteria mezza carica | Half charge led |
| H3 | Led batteria scarica | Empty charge led |
| M1 | Motore principale | Main motor |
| M2 | Ventola aspirazione | Fan |
| M3 | Motore spazzola laterale | Side brush motor |
| SW1 | Interruttore | Switch |
| SW2 | Microinterruttore cofano | Hopper microswitch |

Wiring diagram

SW 750

04-01-2014

Part List ID

F-Z33126

24

Recommended spare parts

SW 750

04-01-2014

Part List ID

F233127

25

No Drawing For Part List

Recommended spare parts

SW 750

04-01-2014

Part List ID

FZ33127

26

| Pos | Part no. | Qty | Description | |
|-----|--------------|-----|---|---------------------------|
| 0 | 145 9679 000 | 1 | Micro switch 16A 250V | EXTRAORDINARY MAINTENANCE |
| 0 | 146 1804 000 | 1 | FAN | EXTRAORDINARY MAINTENANCE |
| 0 | 146 3003 000 | 1 | MOTOR ELECTRIC 200W 12V | EXTRAORDINARY MAINTENANCE |
| 0 | 146 3016 000 | 1 | BROOM MAIN 180X500 CARPET | ACCESSORY |
| 0 | 146 3027 000 | 1 | BELT | WEAR PARTS |
| 0 | 146 3028 000 | 1 | REDUCTION GEARMOTOR 40W 1 | EXTRAORDINARY MAINTENANCE |
| 0 | 146 3035 000 | 1 | BROOM SIDE 109X315 PPL0,5 | WEAR PARTS |
| 0 | 146 3036 000 | 1 | BROOM SIDE 109X315 NYLON CARPET | ACCESSORY |
| 0 | 146 3051 000 | 1 | CHARGER BATTERY 12V 6A 100-240V 50-60Hz | EXTRAORDINARY MAINTENANCE |
| 0 | 146 3090 000 | 1 | CIRCUIT BREAKER 5A | EXTRAORDINARY MAINTENANCE |
| 0 | 146 3113 000 | 1 | RELAIS 12V 70 A TYCO | EXTRAORDINARY MAINTENANCE |
| 0 | 146 3123 000 | 1 | PANEL CONTROL W/DECAL KIT | EXTRAORDINARY MAINTENANCE |
| 0 | 1463161000 | 1 | FILTER POLYESTER KIT | ORDINARY MAINTENANCE |
| 0 | 1463166000 | 1 | SKIRTS KIT | WEAR PARTS |
| 0 | 1463167000 | 1 | SKIRTS NO MARKING KIT | ACCESSORY |
| 0 | 1463171000 | 1 | CARPET KIT | ACCESSORY |
| 0 | 1463174000 | 1 | BROOM MAIN 200 X 5 | WEAR PARTS |
| 0 | 1463201000 | 1 | BATTERY CLAMPS POS.-NEG.KIT | ACCESSORY |
| 0 | 1463255000 | 1 | SKIRT NEOP SIDE | ACCESSORY |
| 0 | 1463305000 | 1 | BELT | ORDINARY MAINTENANCE |
| 0 | 1463860000 | 1 | WHEEL BLACK KIT | EXTRAORDINARY MAINTENANCE |
| 0 | 1464045000 | 1 | BELT KIT | ORDINARY MAINTENANCE |
| 0 | 1464483000 | 1 | BATTERY 12V 49AH AGM MONOBLOC | EXTRAORDINARY MAINTENANCE |
| 0 | 1464853000 | 1 | BATTERY DISCOVER | ACCESSORY |
| 0 | 909 5706 000 | 1 | CIRCUIT BREAKER 30A | EXTRAORDINARY MAINTENANCE |