

# Battery System Specification 电池系统规格书

## B24100H Battery System B24100H 电池系统

Document No/文件编号: RD-B24100H-S-01

Version/版本: A

Date/日期: 2022. 3. 17





## B24100H Battery System

Type/类型	Parameter /参数
Product Name/产品名称	Battery System/电池系统
Product Model/产品型号	B24100H
Product Specification/产品规格	105Ah8S1P
Prepared by/拟制	HY.Yang
Examined by/审核	FQ. Ye/YB. Tian
Approved by/批准	Michael Li





## Catalogue/目录

<b>Preface/前言</b> .....	<b>5</b>
<b>1. Product Overview/产品概况</b> .....	<b>5</b>
1.1. Product Information/产品信息 .....	5
1.2. Product Functions/产品功能 .....	6
1.3. Information on Battery System /电池系统信息 .....	7
1.4. Technical Terms /技术术语 .....	10
<b>2. Assembly/装配</b> .....	<b>11</b>
2.1. Mechanical Architecture/机械架构 .....	11
2.2. Mechanical Interface/机械界面 .....	13
2.3. BMS/保护板 .....	14
2.4. Information on the Power Interface of Battery System/电池系统动力接口信息 .....	错误! 未定义书签。
2.5. Information on the Nameplate of Battery System/电池系统铭牌信息 .....	17
<b>3. Requirements for Packaging/包装要求</b> .....	<b>18</b>
3.1. Schematic Diagram of Packaging/包装示意图 .....	18
3.2. Packing List/装箱清单 .....	19
<b>4. Precautions and Prohibitions in the Use of Lithium-ion Battery Module/锂离子电池模组的使用 注意事项和禁忌</b> .....	<b>19</b>
4.1. Storage/存储 .....	20
4.2. Safety Precautions and Prohibitions/安全注意事项及禁止事项 .....	21
4.3. Electricity Abuse/电滥用 .....	21
4.4. Environmental Abuse /环境滥用 .....	22
4.5. Others/其他 .....	22
4.6. Warning /警告 .....	24



## Preface/前言

The document covers the specifications of the battery system of B24100H manufactured by RoyPow TECHNOLOGY CO.,LTD .

本文件描述了由惠州市乐亿通科技有限公司生产的 B24100H 电池系统的规格。

## 1. Product Overview/产品概况

B24100H includes the battery core and the controller of battery modules, furnishing power output of low-voltage system for electric vehicles

B24100H 电池系统，包括电池电芯和电池模块控制器，将给电力车辆提供低压系统动力输出。

### 1.1. Product Information/产品信息

System 系统	Version 版本	Remarks 备注
Battery system 电池系统	A	B24100H
Battery cell 电芯	F	EVE LF105
Battery management system 电池管理系统	-	SPB22-SW16-004-A-A02



## 1.2. Product Functions/产品功能

- The battery system is provided with the function of power output providing.  
电池系统能提供动力输出
- The battery system is provided with the function of monomer voltage detection.  
电池系统具备单体电压检测功能
- The battery system is provided with the function of total voltage detection.  
电池系统具备总电压检测功能
- The battery system is provided with the function of temperature detection.  
电池系统具备温度检测功能
- The battery system is provided with the function of current detection.  
电池系统具备电流检测功能
- The battery system is provided with the function of charging overcurrent protection.  
电池系统提供过流充电保护功能



### 1.3. Information on Battery System / 电池系统信息

#### Description of battery system/ 电池系统信息描述

Item 项目	Unit 单位	Specifications 规格	Remarks 备注
Rated capacity 额定容量	Ah	100Ah	@ 0.5C, 25°C
Configuration 配置	-	8S1P	
Operating temperature 操作温度	Charging working temperature 充电工作温度	°C	0~55
	Discharge working temperature 放电工作温度	°C	-20~60
Storage temperature 存储温度	Short-term (within 1 month) 短期 (1 个月内)	°C	-20~45
	Long-term (within one year) 长期 (一年内)	°C	0~35
Rated voltage 额定电压	V	25.6	Cell 3.2V
Maximum voltage 最大电压	V	29.2	Cell 3.65V
Minimum voltage 最小电压	V	20	Cell 2.5V
Standard capacity 常规容量	kWh	≥2.5	@ 0.5C, 25°C
Weight 重量	Kg	22±1	

**RoyPow confidential** / All rights reserved: no part of these pages may be used for any purpose other than for the purpose expressly permitted by RoyPow. Reproduction, modification, storage in a retrieval system or retransmission, in any form or by any means, electronic, mechanical or otherwise is strictly prohibited.

**RoyPow 秘密文件**/保留所有权利:除了 RoyPow 明确允许的目的之外, 这些页面的任何部分都不得用于任何目的。严禁以电子、机械或其他任何形式或方式复制、修改、存储在检索系统中或进行重新传输。



Maximum discharge current 放电最大电流 (@5S, 25°C, SOC50%, BOL)	A	200(60S)	
Maximum charging current 充电最大电流 (@5S, 25°C, SOC 50% BOL)	A	150(10S)	
Continuous discharge current 连续放电电流 (@25°C, SOC50%, BOL)	A	120	
Continuous charging current 连续充电电流 (@25°C, SOC 50% BOL)	A	50	
SOC status of battery system before shipment Standard Charge (@ 25°C ) 标准充电		Constant Current: ≤0.5C Constant Voltage:3.65V End Condition(Cut off): ≥0.02C	
出货前电池系统 SOC 状态	-	SOC 30%±3%	
Self-discharge rate 自放电率 (@SOC 100%, 25°C , Loss/Month, @BOL)	%	Max 3	
Safe reliability 安全可靠	-	GBT Certificate	cell
Insulativity 绝缘	MΩ	Min 20MΩ/1000VDC	@25°C±5°C, RH50%
Cooling mode 冷却方式	-	Natural(Passive) Convection	
Heating function 加热功能	-	Temperature rises by 8 degrees in 1 hour. 1h 温升 8 度	充电模式加热 Heating by charging mode
	-	On: Minimum temperature ≤6degrees 开启: 最低温度≤3 度	
	-	Off: Minimum temperature ≥15 degrees 关闭: 最低温度≥15 度	





Working range of SOC SOC 工作范围	%	0~ 100%	
Ingress protection IP 防护等级	-	IP65	
Bluetooth 蓝牙	-	4.0	
Cycle life 循环寿命	-	>3500	@25°C, 0.5C charge, 1C discharge, DOD 100%(SOC0~100%)
Remaining capacity at the end of life 寿命终止剩余容量	-	EOL 70%	According to warranty period, driving pattern, temp. profile, etc 根据保修期间, 如驾驶 模式、温度剖面等



## 1.4. Technical Terms / 技术术语

BOL: 寿命开始

SOC: 荷电状态

EOL: 寿命终止

DOD: 放电深度

RH: 相对湿度

RT: 室温

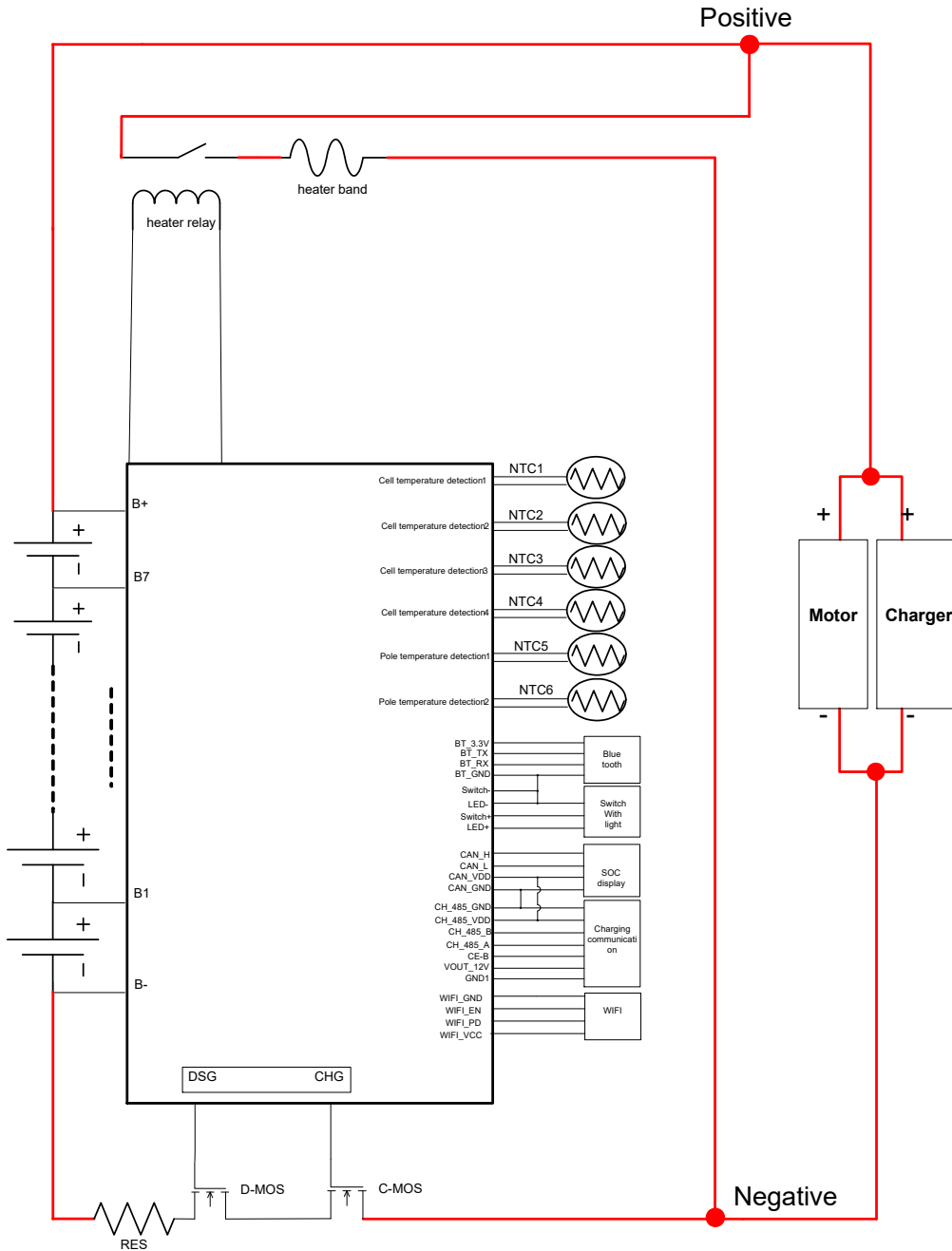


Figure 1. Schematic Diagram of Battery System

图 1. 电池系统原理图

**RoyPow confidential** / All rights reserved: no part of these pages may be used for any purpose other than for the purpose expressly permitted by RoyPow. Reproduction, modification, storage in a retrieval system or retransmission, in any form or by any means, electronic, mechanical or otherwise is strictly prohibited.

**RoyPow 秘密文件**/保留所有权利:除了 RoyPow 明确允许的目的之外, 这些页面的任何部分都不得用于任何目的。严禁以电子、机械或其他任何形式或方式复制、修改、存储在检索系统中或进行重新传输。



## 2. Assembly/装配

### 2.1. Mechanical Architecture/机械架构

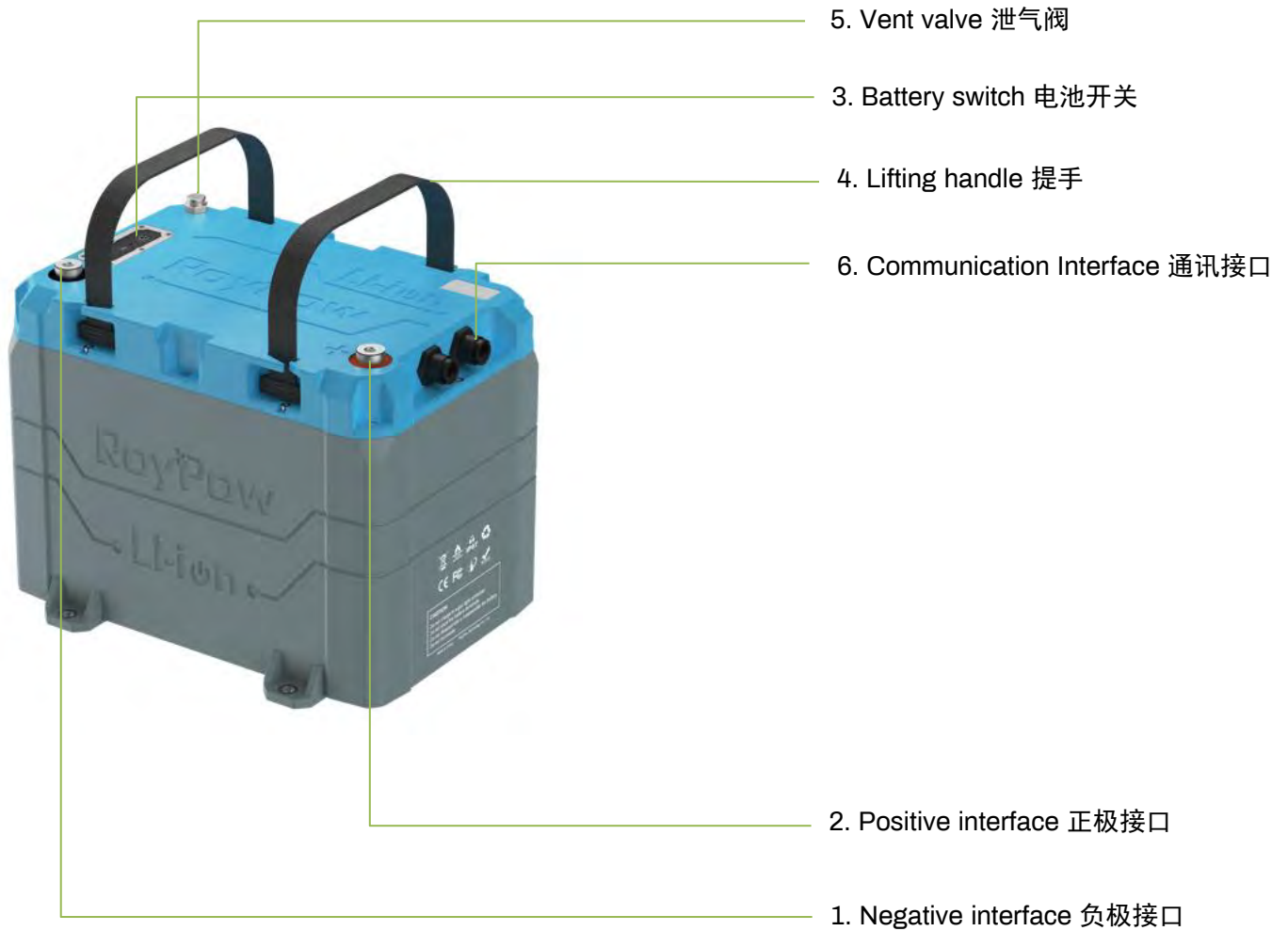


Figure 2. Schematic diagram of battery system

图 2. 电池系统示意图



No. 序号	Part Name 零件名称	Description 描述	Quantity 数量
1	Negative interface 负极接口	/	1
2	Positive interface 正极接口	/	1
3	Battery switch 电池开关	/	1
4	Lifting handle 提手	/	2
5	Vent valve 泄气阀	/	1
6	Communication Interface 通讯接口	/	1



## 2.2. Mechanical Interface/机械界面

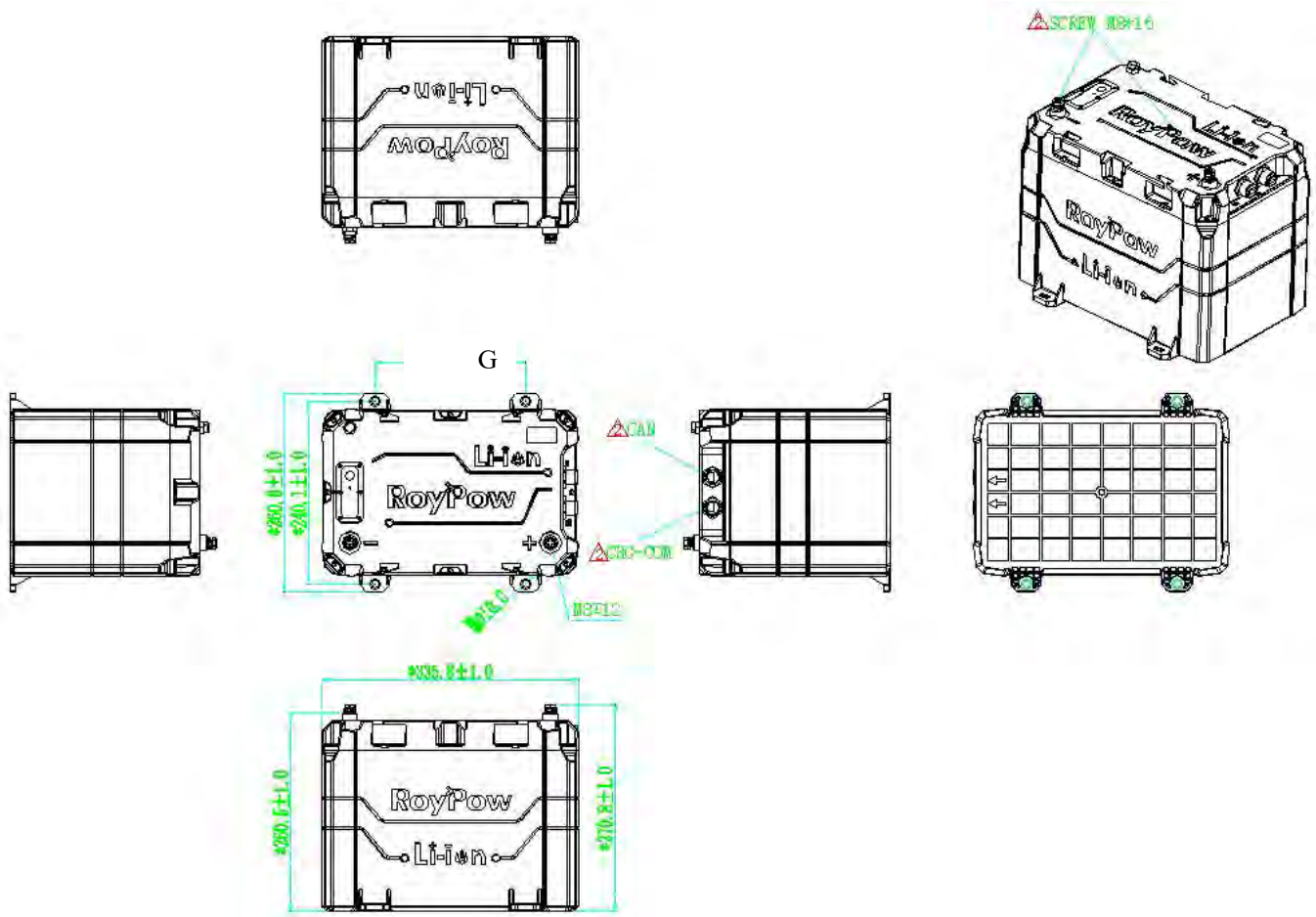


Figure 3. System Tolerance

图 3. 系统公差

### Basic Dimensions/基本尺寸表

Name 名称	Size 尺寸
Size of battery system 电池系统尺寸(mm)	335.8(L) x 260(W) x 260.5 (H)

**RoyPow confidential** / All rights reserved: no part of these pages may be used for any purpose other than for the purpose expressly permitted by RoyPow. Reproduction, modification, storage in a retrieval system or retransmission, in any form or by any means, electronic, mechanical or otherwise is strictly prohibited.

**RoyPow 秘密文件**/保留所有权利:除了 RoyPow 明确允许的目的之外, 这些页面的任何部分都不得用于任何目的。严禁以电子、机械或其他任何形式或方式复制、修改、存储在检索系统中或进行重新传输。



## 2.3. BMS/保护板

### Parameters BMS 参数

NO. 序号	Item 项目	Standard 标准
1	Self-discharge Current (Active mode) 自耗电	<30mA
	Self-discharge Current (Error mode) 自耗电	≤<6.8mA
	Self-discharge Current (Shutdown mode) 自耗电	≤400uA
	Self-discharge Current (Shutdown mode) 自耗电	≤30uA
	Max Charge/Discharge Current 最大充电/放电电流	150 A/ 200A
	System Inrush Current 系统浪涌电流	TBD
2	Over Charge Protection Voltage 过充保护电压	3.65±0.05 V
	Over Charge Release Voltage 过充恢复电压	3.34V
3	Over Discharge Protection Voltage 过放保护电压	2.7±0.05V
	Over Discharge Release Voltage 过放恢复电压	3.0±0.05V
4	Charge Over Current Protection Current 充电过流保护电流	150A±2%
	Charge Over Current Protection Delay 充电过流保护延时	10S
	Charge Over Current Protection Release 充电过流解除	Self release after 1min



5	Discharge Over Current Protection1 放电过流保护 1	Discharge Over Current Protection Current 放电过流保护电流	200±2% A
		Discharge Over Current Protection Delay 放电过流保护延时	60S
		Over Current Release 过流保护解除	Remove loader
6	Discharge Over Current Protection2 放电过流保护 2	Discharge Over Current Protection Current 放电过流保护电流	286±10A
		Discharge Over Current Protection Delay 放电过流保护延时	1S
		Over Current Release 过流保护解除	Remove loader
7	Short Circuit Protection 短路保护	Short Circuit Protection Current 短路保护电流	>500A
		Release Condition 恢复条件	Remove loader
8	Charge Over Temperature Protection 充电温度保护	Charge High Temperature Protection 充电高温保护	55°C
		Charge High Temperature Release 充电高温恢复	50
		Charge Low Temperature Protection 充电低温保护	0°C
		Charge Low Temperature Release 充电低温恢复	5°C(By heating)
9	Discharge Over Temperature Protection 放电温度保护	Discharge High Temperature Protection 放电高温保护	60°C
		Discharge High Temperature Release 放电高温恢复	55
		Discharge Low Temperature Protection 放电低温保护	-20°C
		Discharge Low Temperature Release 放电低温恢复	-10

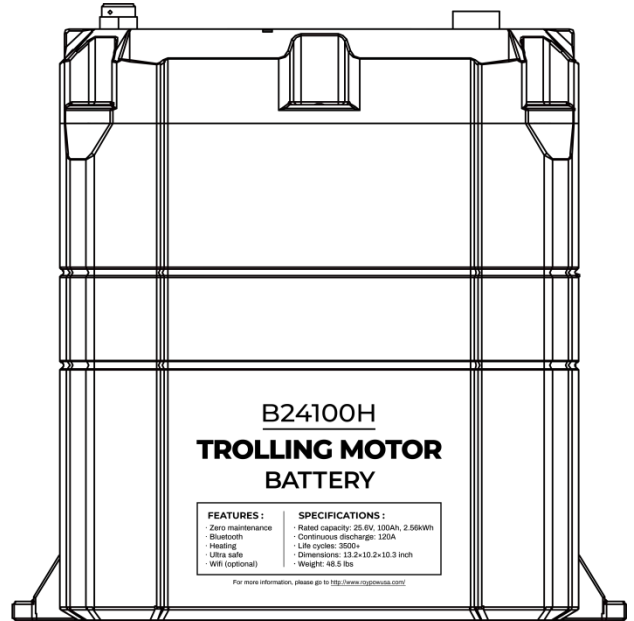
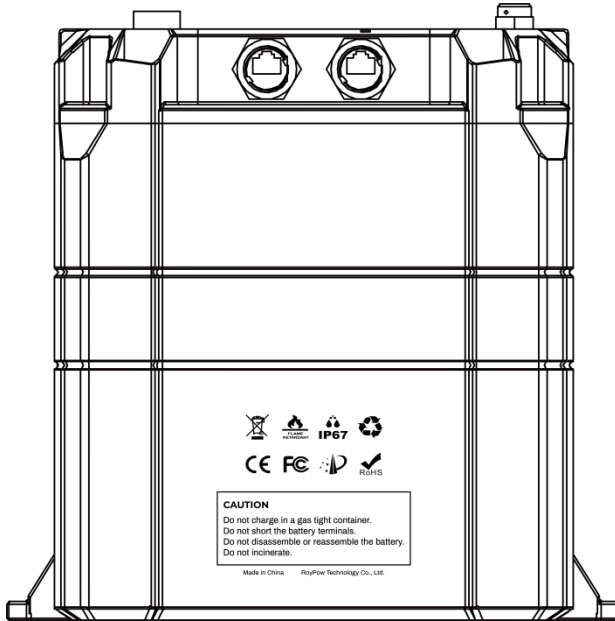


10	Heater working condition 加热膜工作条件	Heater ON when cell temperature in charging 充电模式下加热膜开启时电芯温度	3°C
		Heater OFF when cell temperature in charging 充电模式下加热膜关闭时电芯温度	16°C
		Heater OFF when cell temperature in charging 放电模式下加热膜关闭时电芯温度	/
11	Communication Mode/通讯模式	CANBUS 250Kbs CAN 总线 250Kbs	
12	In Parallel Function/并行功能	Not support/不支持	





## 2.4. Information on the Silk screen of Battery System/电池系统丝印信息





### 3. Requirements for Packaging/包装要求

#### 3.1. Schematic Diagram of Packaging/包装示意图

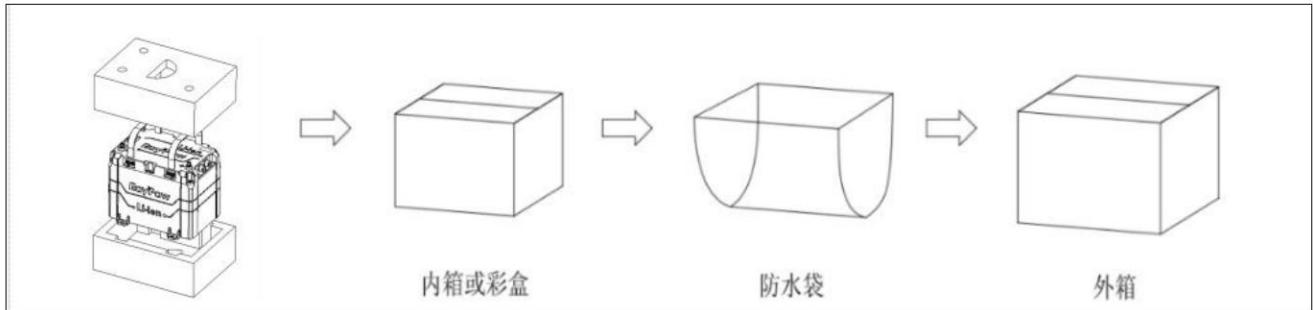


Figure 7. Schematic Diagram of Packaging

图 7. 包装示意图



## 3.2 Packing List/装箱清单

NO.	Part Name 产品名称	Part Number 产品编码	Product Specification 产品规格	Package Quantity 包装数量
1	Battery system 电池系统	B24100H	105Ah 8S1P	1pcs



## 4. Precautions and Prohibitions in the Use of Lithium-ion Battery Module/锂离子电池模组的使用注意事项和禁忌

Before making use of battery modules, please be sure to read the user manual and precautions for dealing with battery modules.

在使用电池模块之前，请务必阅读电池模块处理用户手册和注意事项。

Improper operation of lithium-ion batteries may result in leakage, heating, smoking, explosion or fire. This may cause performance degradation or failure. Please be sure to operate the batteries in strict compliance with the instructions carefully.

锂离子电池操作不当可能导致泄漏、发热、冒烟、爆炸或火灾。这可能会导致性能恶化或失败。请务必认真按照说明操作。

### 4.1. Storage/存储

Time/时间	Temperature/温度
Short term (within 1 month) 短期（1 个月内）	-20~45°C
Long term (within one year) 长期（一年内）	0~35°C

Store battery modules at room temperature.在室温条件下储存电池模块

Customers are required to finish incoming inspection within one month upon the arrival of goods.

客户需要在到货后 1 个月内完成来料检



## 4.2. Safety Precautions and Prohibitions/安全注意事项及禁止事项

With an attempt to guarantee product safety, please list the following precautions in the instruction manual.

为确保产品安全，请在使用说明书中列出以下注意事项。

## 4.3. Electricity Abuse/电滥用

- Please make use of a dedicated charger.  
使用专用充电器
- Batteries can only be used or charged on special occasions.  
电池只能在专用场合使用或充电
- Reverse charging is strictly prohibited.  
禁止反向充电
- The charging current must be controlled at the value prescribed in the specifications of batteries.  
充电电流必须控制在电池规格中规定的值
- The cut-off voltage for charging is 29.2V (3.65V x 8)  
充电截止电压为 29.2V (3.65V x 8)
- The charger must have the specifications to stop charging batteries by detecting the specified cut-off current.  
充电器必须通过检测指定的截止电流来停止充电电池规格
- The discharge current must be controlled within the specification value prescribed by the product.  
放电电流必须控制在产品规定的规格值内
- The discharge cut-off voltage must be over 20V (2.5V x 8)  
放电截止电压必须超过 20V (2.5V x 8)



## 4.4. Environmental Abuse /环境滥用

- › Never put batteries near fire or heat sources.  
不要把电池放在火源或热源附近
- › Never throw the batteries into the fire.  
不要把电池扔进火里
- › Never soak the batteries in water or seawater.  
不要将电池浸泡在水中或海水中

## 4.5. Others/其他

- › Never store metal objects such as keys or screwdrivers near batteries.  
不要将钥匙或螺丝刀等金属物品存放在电池附近
- › Never intentionally short-circuit (+) and (-) terminals with metal objects.  
不要故意用金属物品短路(+)和(-)端子
- › Never pierce the batteries with sharp objects such as needles or screwdrivers.  
不要用尖锐的东西如针或螺丝刀刺穿电池
- › Never heat a part of the batteries with heating objects such as an electric soldering iron.  
不要用电烙铁等加热物体加热电池的一部分
- › Never hit the batteries with heavy objects such as hammers or heavy objects.  
不要用重物如锤子或重物撞击电池
- › Never step on the batteries or drop the batteries on the hard ground.  
请勿踩到电池上，将电池摔落在坚硬的地面上
- › Never disassemble the batteries or modify the design of the batteries, including the circuits.  
不要拆卸电池或修改电池的设计，包括电路
- › Never directly weld anything on the batteries.  
不要直接焊接电池上的任何东西
- › Never make use of badly scarred or deformed batteries.  
不要使用严重疤痕或变形电池
- › Never put batteries in microwave ovens, dryers or high-pressure containers.  
不要将电池放入微波炉、烘干机或高压容器中
- › Never disassemble the batteries yourself.  
请勿自行拆卸电池。
- › Never put the batteries in the water.  
不要放入水中。
- › Never expose the batteries to splashing water.



不要暴露在溅水的环境中。

- Never expose the batteries to humid environment.

不要暴露在潮湿的环境中。

- Never use the batteries after a fall accident.

坠落事故后请勿使用

- Please be sure to read the operating instructions of the charger before making use of the charger.

使用充电器前，请务必阅读充电器的使用说明书。

- Please be sure to read the user manual of the application before installing and removing batteries from the application.

在从应用程序中安装和移除电池之前，请务必阅读应用程序的用户手册

- Batteries or modules required to be stored for a long time should be removed from the application and stored in a suitable place at room temperature.

电池或模块需要长时间存储，则应将电池或模块从应用程序中移除，并在室温条件下存储在适当的位置。

- When charging, using and storing batteries, please keep the batteries away from static objects and materials.

电池充电、使用、储存时，应远离带静电的物体材料



## 4.6. Warning/警告

- In the event that the charging is not finished within the prescribed time, please stop charging.  
如未在规定时间内完成充电，请停止充电。
- If the batteries are abnormally heated, smelly, discolored, deformed or otherwise abnormal in the course of use, charging, discharging or storage, please stop making use of the modules.  
如果电池在使用、充电、放电或储存过程中出现异常发热、异味、变色、变形或其他异常情况，请停止使用模块。
- When leakage or odor is found, please stay away from fire or heat at once. In the event that liquid leaks to skin or clothes, rinse it off at once with plenty of clean water.  
当发现有泄漏或异味时，应立即远离火源或热源。如果液体泄漏到皮肤或衣服上，立即用大量的清水冲洗干净。
- Never rub your eyes in the event that liquid leaks out of the batteries and enters your eyes.  
如果液体从电池漏出进入眼睛，不要揉眼睛。
- Please immediately wash your eyes with plenty of water and seek medical treatment.  
用立即大量的清水清洗眼睛，并寻求医疗救助。
- In the case that the terminals of the batteries get dirty, please wipe them with a dry cloth before making use of the battery modules.  
如果电池的端子脏了，在使用电池模块之前用干布擦干净。
- The batteries can be used within the following temperature range, not beyond the temperature range of -20~55°C.  
电池可在以下温度范围内使用，不要超过温度范围: -20 ~ 55°C。
- Before disposing of the terminals, please cover the terminals of batteries with appropriate insulating tape.  
在处置端子之前，用适当的绝缘胶带覆盖端子。





# THANKS!

**RoyPow Technology Co., Ltd.**  
**惠州市乐亿通科技有限公司**

Email/邮箱: [sales@roypowtech.com](mailto:sales@roypowtech.com)

Web/公司网址: [www.roypowtech.com](http://www.roypowtech.com)

Add/地址: RoyPow Industrial Park, #8, Huifeng 2nd East Road, Zhongkai High-Tech District,  
Huizhou, Guangdong, China

广东省惠州市仲恺高新区惠风东二路8号乐亿通工业园